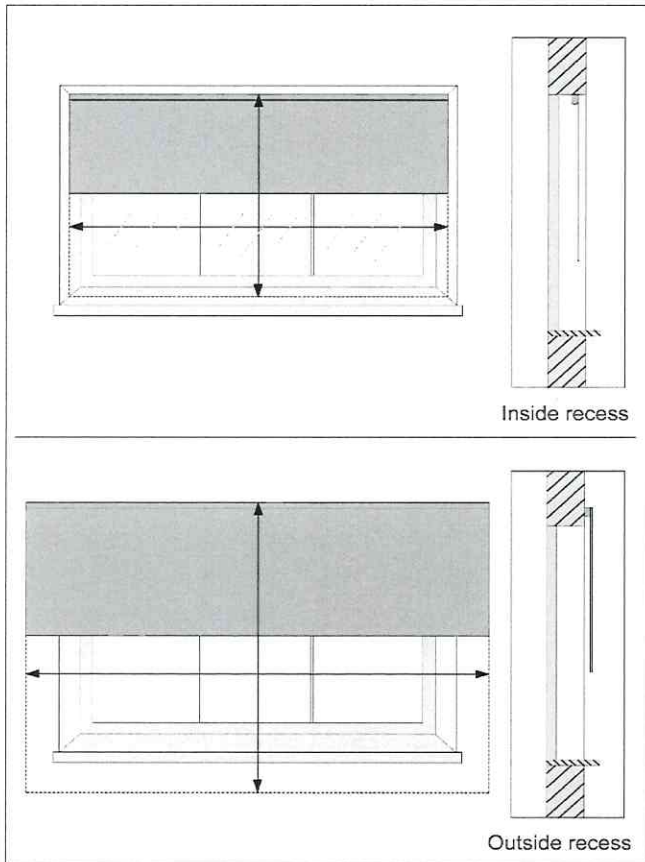


Roman Blind

1. Positioning The Blind



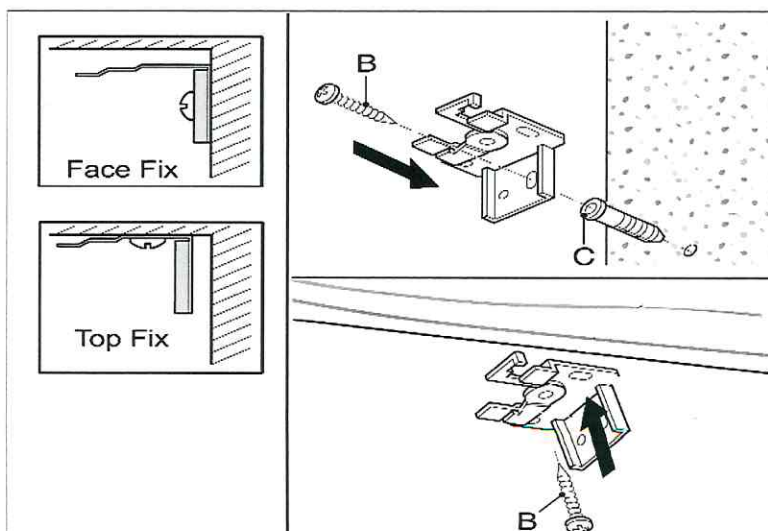
A. Inside The Recess

The blind should be positioned in the centre of the recess ensuring that the gap at either end is the same. A metal bracket (B) should be positioned approx. 8-10cms from each side, any other brackets, depending on the size of your blind, should be positioned equally along the length of the blind.

B. Outside the Recess

The blind should be positioned so that equal lengths of the blind extend outside the left and right sides of the recess. Determine the installation point by extending the fabric fully, taking into consideration the window sill or any other factors. A metal bracket (B) should be positioned approx. 8-10cms from each side, any other brackets, depending on the size of your blind, should be positioned equally along the length of the blind.

2. How to fit Lever Lock Metal Fixing Brackets (B)



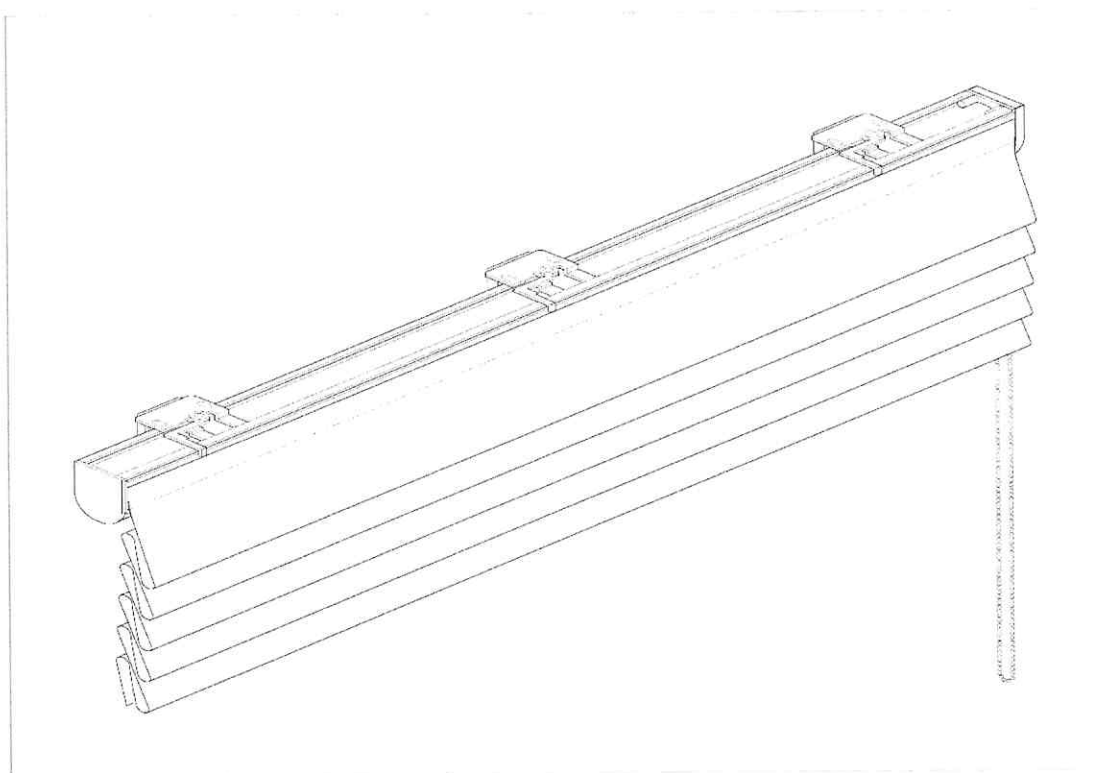
THE
FINE CURTAIN
COMPANY

Roman Blind

Thank you for purchasing this product. Please read the instructions and warnings carefully before use to ensure safe and satisfactory operation of this product. It is recommended that this blind should only be installed by persons competent in DIY & Child Safety Legislation.

Please check the contents

Chain operated side control unit with internal breakaway mechanism
Lever Lock Metal fixing brackets
Warning Labels



A. Chain Operated Side Control Unit With internal Breakaway mechanism

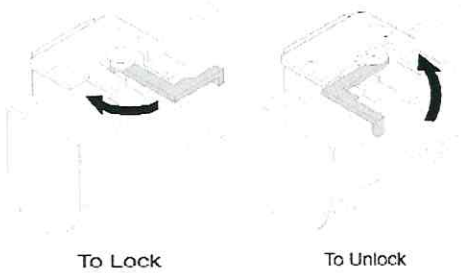
Please note: Fixings will be required to install your blind depending on the mounting surface. Wallboard and plaster require the use of anchors such as expansion or toggle bolts. Brick, tile or stone need special plugs and drill bits, remember to always pre-drill holes in wood to avoid splitting.

Roman Blind

3. Top Fixing or Face Fixing Brackets

The brackets supplied can be used to either top fix (ceiling) or face fix (wall) the blind. These are attached to the blind on delivery and need to be removed before fitting.

To remove brackets from the blind, slide the lever anti-clockwise to release and then unclip.

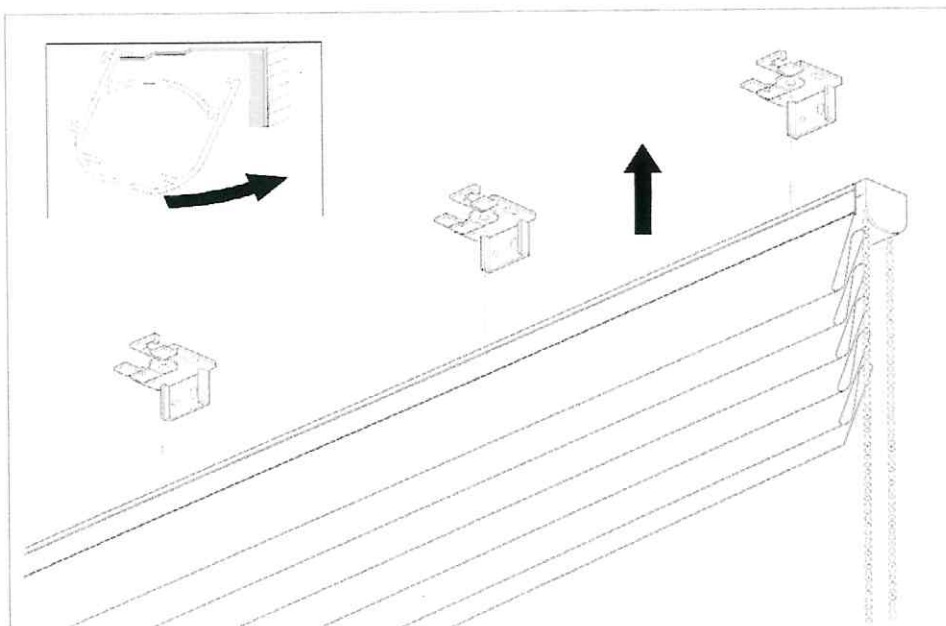


Mark out the fixing positions on the frame, wall or ceiling. Ensure the brackets are positioned so the blind will not be obstructed during operation by window handles, levers etc.

Fix brackets into place using appropriate plugs and screws.

4. Installing the Blind

Place the rail in a slightly tilted position and slide over the metal edge of the bracket. Press the rail back and slide the swivel lever back to lock the rail in place.



Roman Blind

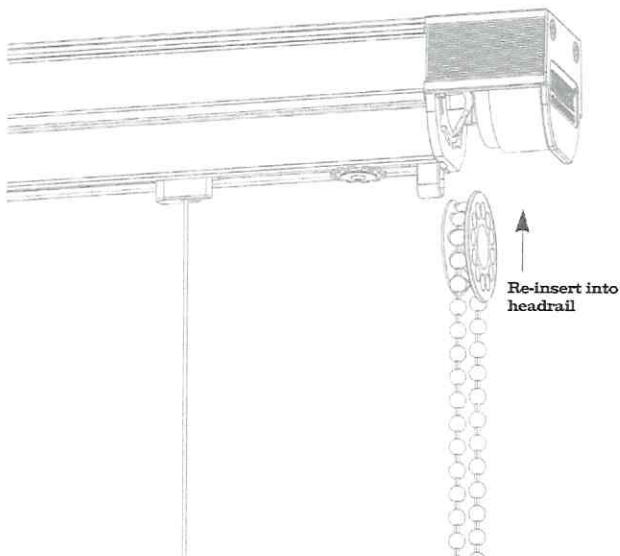
5. Operating the blind

The blind operates on a continuous loop chain (A). By pulling the front or back of the chain down the blind will lower and lift as required, keep the chains vertical for smooth operation.

6. Rear Cord Safety Devices

The blind will arrive levelled and true. Your blind is fitted with two part breakaway devices on the lower rod pockets, each cord has two devices. Should these devices detach they will be retained on the cord and can be simply clicked back in place.

7. Internal Chain Breakaway Safety Mechanism



The blind is fitted with an internal breakaway cog housing the operating chain. Should the internal cog separate from the housing it can be inserted back into the blind by applying a firm and even pressure, the chain must be looped back on to the cog before it is re-inserted into the blind. The grooves on the cog must be corrected lined up with the grooves in the housing, the larger outer side of the cog should be closest to the edge of the blind. Once inserted back into the housing the blind will operate normally.